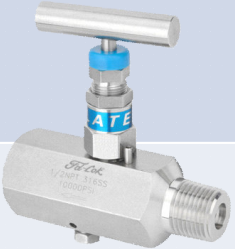



VALVULAS DE AGUJA

EN SS316

Las valvulas de aguja, o también conocidas cómo tipo “embolo” son ideales para regular el flujo de un proceso industrial. La distancia entre el asiento y el émbolo puede controlarse mediante el volante.

El desplazamiento es lento, de modo que se necesitan muchas vueltas para lograr una apertura total. Esto proporciona a la válvula de aguja de alta estabilidad, precisión y sellado.

CODIGO	ENTRADA/ PROCESO	SALIDA / INSTRUMENTO	PRESION MÁX	Especial	Imagen
VAG3160035 ⁽¹⁾	1/4" NPT M	1/4" NPT F	700 BAR	Drenaje	
VAG3160040 ⁽¹⁾	1/2" NPT M	1/2" NPT F	700 BAR	Drenaje	
VAG3160045 ⁽²⁾	1/2" NPT M	1/2" NPT F	400 BAR	VENTEO 1/4" NPT	
VAG3160050 ⁽³⁾	1/2" NPT M	1/2" NPT F	400 BAR	VENTEO 1/2" NPT	

Ver detalles en anexos (1) - (2) - (3)

CODIGO	ENTRADA/ PROCESO	SALIDA / INSTRUMENTO	PRESION MÁX	Imagen
VAG3160005 ⁽⁴⁾	1/8" NPT F	1/8" NPT F	400 BAR	
VAG3160010 ⁽⁴⁾	1/4" NPT F	1/8" NPT F	400 BAR	
VAG3160015 ⁽⁴⁾	3/8" NPT F	3/8" NPT F	400 BAR	
VAG3160020 ⁽⁴⁾	1/2" NPT F	1/2" NPT F	400 BAR	
VAG3160025 ⁽⁴⁾	3/4" NPT F	3/4" NPT F	400 BAR	
VAG3160030 ⁽⁴⁾	1" NPT F	1" NPT F	400 BAR	

Ver detalles en anexo (4)

+56 2 2795 7700 / +56 9 9399 4343

www.senyter.cl / info@senyter.cl

Av Portugal 1768
Santiago • Chile



ANEXO 1

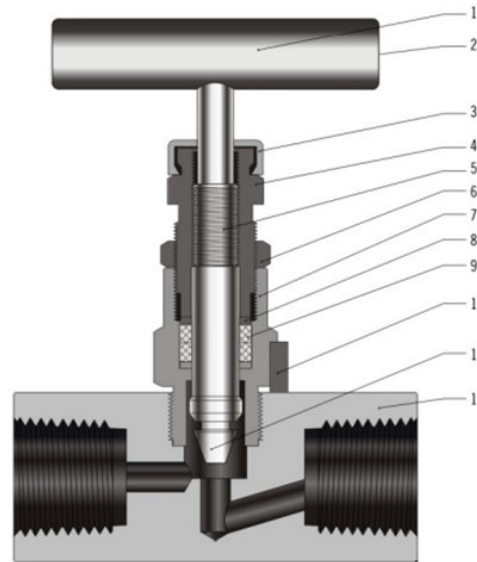
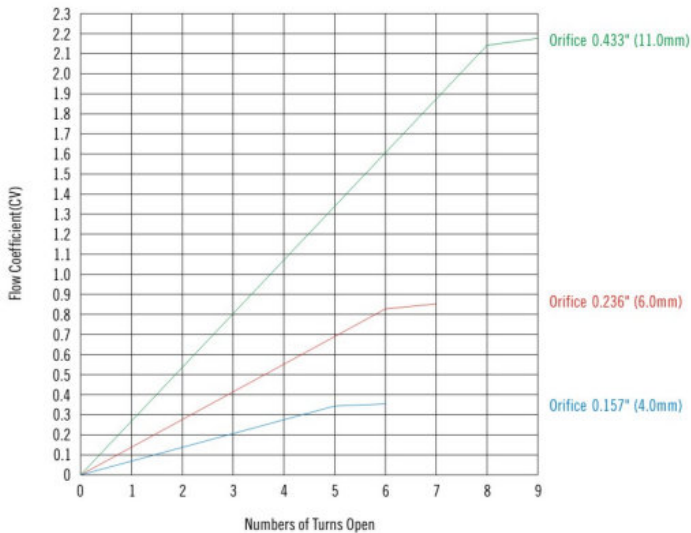
Hexagonal Bar Stock Needle Valves

Features

- Pressure up to 6000 psig(414 bar) for standard series
- Pressure up to 10000 psig(689 bar) for high pressure series
- Temperature from -65°F to 450°F (-54°C to 232°C) with PTFE packing.
- Temperature from -65°F to 1200°F (-54°C to 649°C) with Grafoil packing
- Hexagonal valve body
- Non-rotating stem tip
- Packing below stem thread isolates the thread
- lubricants from the media
- Body to bonnet seal with metal to metal constant compression,
- isolates bonnet thread from the media
- Back seating design protects the packing in fully open position
- Panel mountable
- 100% factory tested



Flow Data at 100°F (38°C)



Item	Part
1	Handle
2	Set screw
3	Dust cap
4	Gland
5	Stem
6	Lock nut
7	Bonnet
8	Packing washer
9	Packing
10	Lock pin
11	Stem tip
12	Body
	Seat
	Lubricant

+56 2 2795 7700 / +56 9 9399 4343

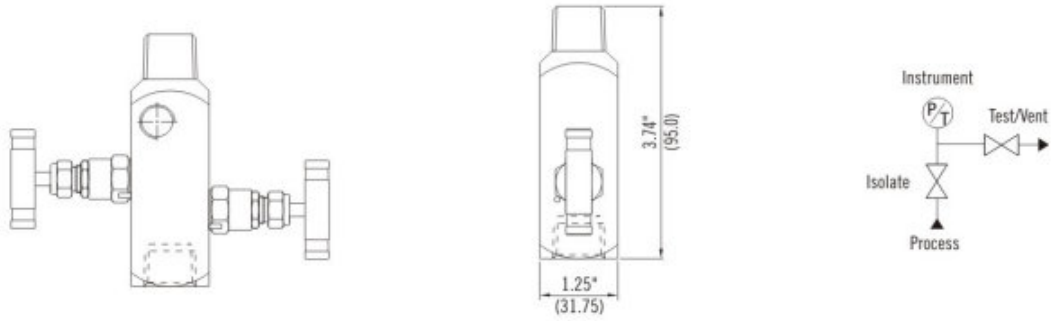
www.senyster.cl / info@senyster.cl

Av Portugal 1768
Santiago • Chile



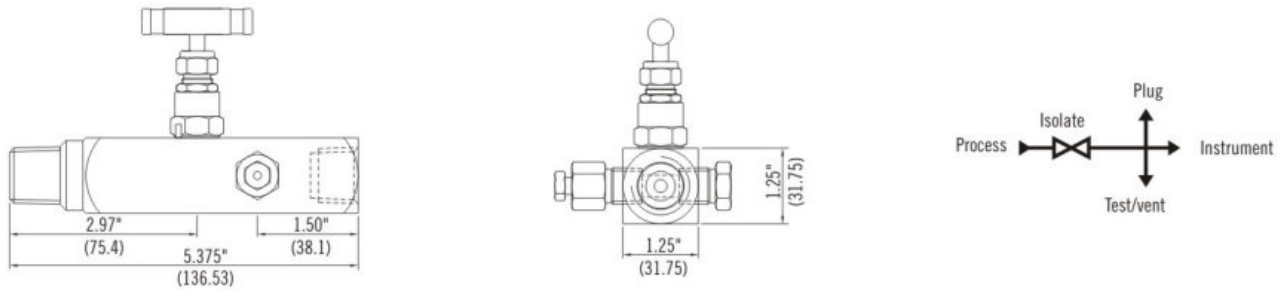
ANEXO 2

Basic Model Number	Inlet / process	Outlet / instrument	Test / vent
-2R-F8-M8-H	1/2" Male NPT	1/2" Female NPT	1/4" Female NPT



ANEXO 3

Basic Model Number	Inlet / process	Outlet / instrument	Test / vent
-GV-M8-F8	1/2" Male NPT	1/2" Female NPT	1/2" Female NPT



+56 2 2795 7700 / +56 9 9399 4343

www.senyster.cl / Info@senyster.cl



Av Portugal 1768
Santiago • Chile



ANEXO 4

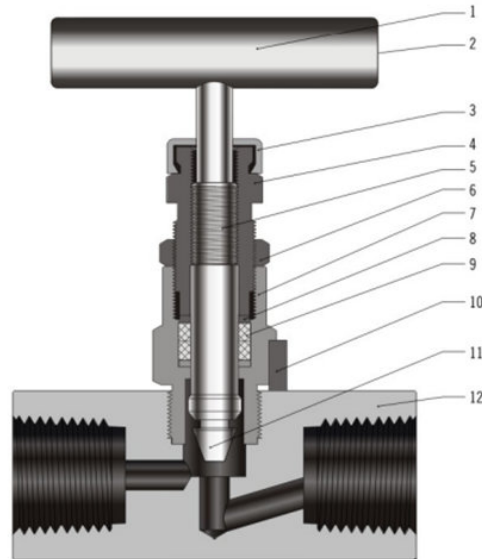
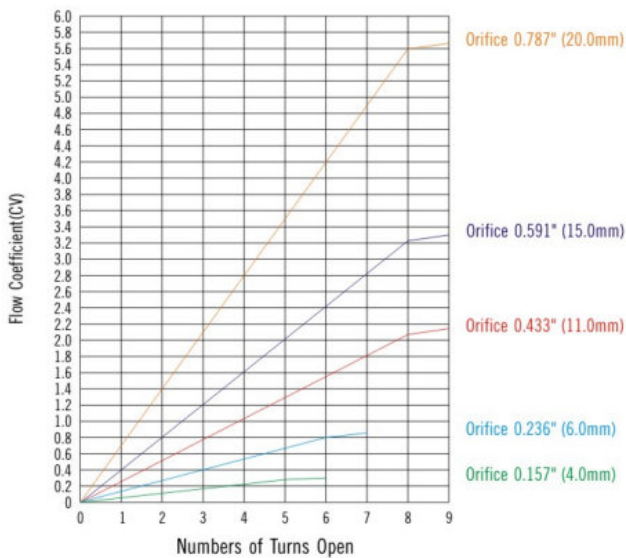
Bar Stock Needle Valves

Features

- Pressure up to 6000 psig(414 bar) for standard series
- Pressure up to 10000 psig(689 bar) for high pressure series
- Temperature from -65°F to 450°F (-54°C to 232°C) with PTFE packing.
- Temperature from -65°F to 1200°F (-54°C to 649°C) with Grafoil packing
- Non-rotating stem tip
- Packing below stem thread isolates the thread lubricants from the media
- Body to bonnet seal with metal to metal constant compression, isolates bonnet thread from the media
- Back seating design protects the packing in fully open position
- Panel mountable
- 100% factory tested



Flow Data at 100°F (37°C)



Item	Part
1	Handle
2	Set screw
3	Dust cap
4	Gland
5	Stem
6	Lock nut
7	Bonnet
8	Packing washer
9	Packing
10	Lock pin
11	Stem tip
12	Body
	Seat
	Lubricant

+56 2 2795 7700 / +56 9 9399 4343

www.senyster.cl / info@senyster.cl

Av Portugal 1768
Santiago • Chile

